



## Melt Pressure Indicator

strain gauge input

### Product Introduction

The GT Heaters IP144 Melt Pressure Indicator with strain gauge input and dual 4 digit display offers simplicity of operation. The IP144 is available with up to two programmable alarms, 4-20mA or 0-10Vdc process value re-transmission, and MODbus communications.

The IP144 Melt Pressure Indicator offers front panel buttons for programming with 4 LED beacons for alarm indication and communications. The IP144 Melt Pressure Indicator is a 1/4 DIN (96 x 96 mm) package with a large 0.5 inch LED display for melt pressure indication. The lower 0.4 inch display indicates alarm SP values.

### Features

- 350 Ohm strain gauge input
- front panel pushbutton programming
- dual 4 digit display
- built-in transducer excitation voltage
- MODBUS communications option

### Benefits

- direct accurate pressure readings
- easy to use
- analog re-transmission
- save panel space with the compact size
- one level of password protection

### Specifications

#### Performance Characteristics

**Type:** microprocessor based panel meter  
**Display:** dual 4 digit, PV=0.5", SV=0.4"  
**Beacons:** 4 LED's, OUT, AL1, AL2, CAE  
**Termination:** 16 screw terminals on rear  
**Dimensions:** 1/4 DIN (46 H x 96 W x 100 D)  
**Accuracy:** +/-0.25% of full scale with shunt calibration  
**Sampling Time:** 100ms typical  
**Operating Temperature:** 0°C - 55°C  
**Retransmission:** 4-20 mA or 0-10Vdc  
**Zero Balance:** +/- 25% of full range

IP144



#### Electrical

**Input:** one 350 Ohm strain gauge bridge sensor  
**Bridge Excitation:** 9 Vdc  
**Sensitivity:** 2-4 mv/Volt  
**Input Power:** 100-240 Vac universal  
**Calibration:** with shunt resistor  
**Alarms:** up to two  
**Alarm Type:** High or Low setpoints  
**Main Alarm Output:** 1 SPDT, NO and NC  
**2nd Alarm Output:** 1 SPST, NO or NC  
**Retransmission:** 4-20 mA or 0-10Vdc



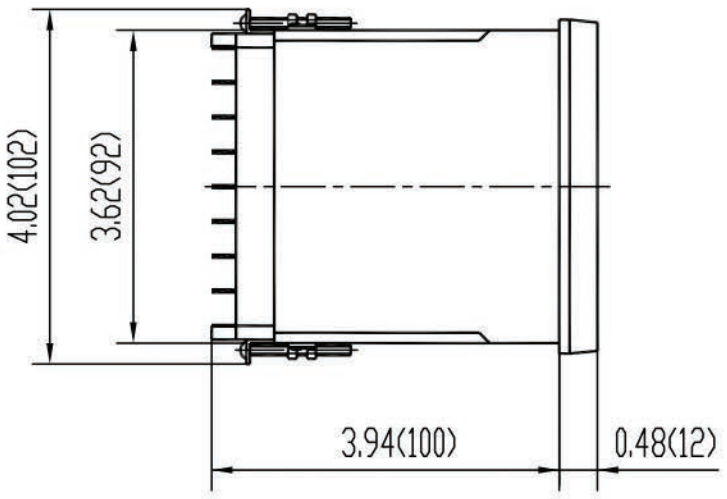
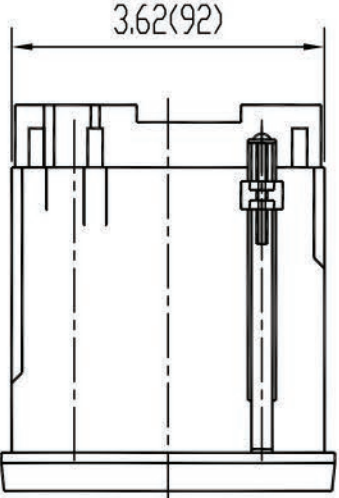
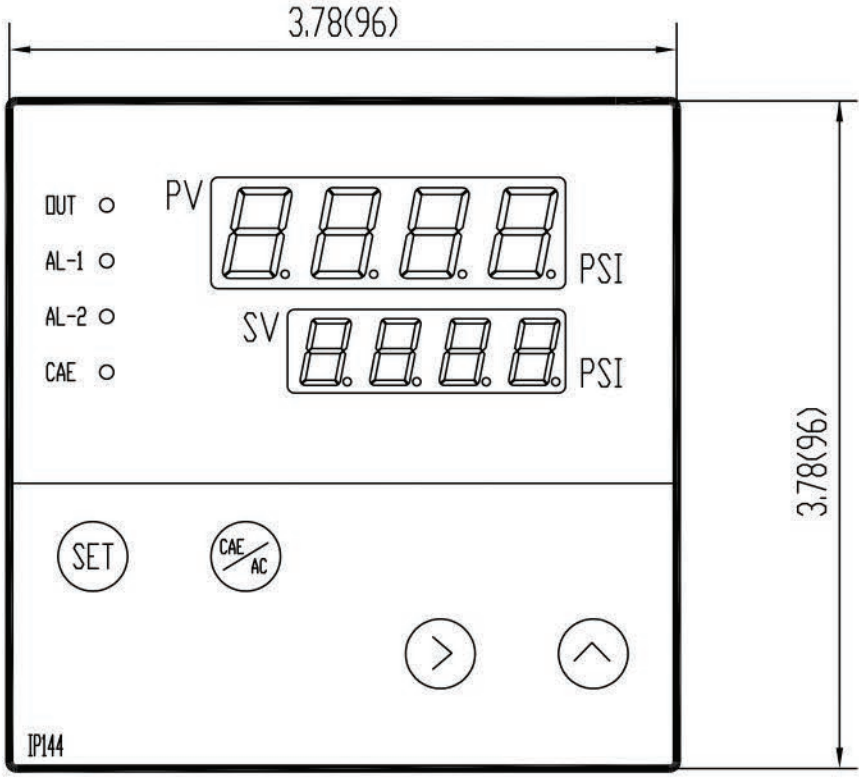


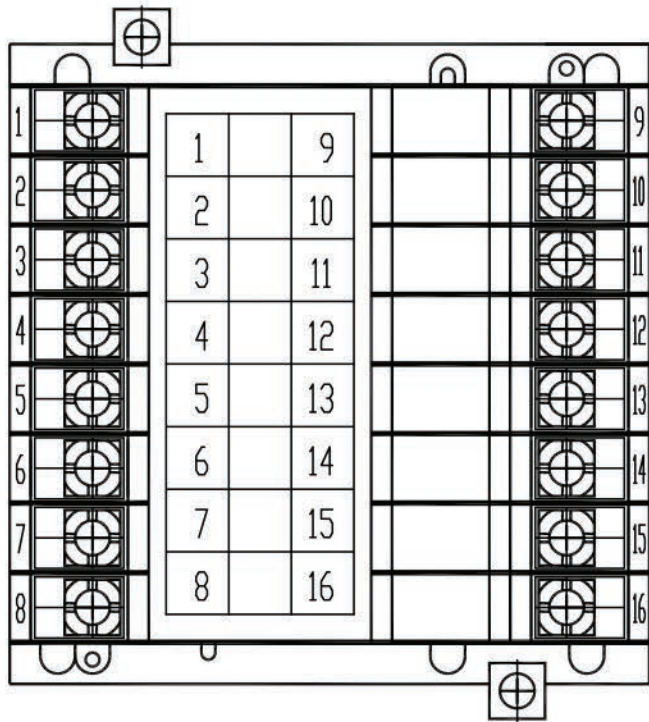
## **Melt Pressure Indicator** *strain gauge input*

### Ordering Guide

<b><u>Model Number</u></b> IP144	<b><u>Style</u></b> 1/4 DIN panel mount (96 X 96mm)
-1 -2	<b><u>Alarms</u></b> 1 alarm 2 alarms
O R V	<b><u>Retransmission</u></b> no retransmission signal 4-20 mA - standard 0 - 10 Vdc
-W -C	<b><u>Options</u></b> 24 Vdc power supply MODBUS communications







1	Signal + (Red)		Alarm 1 N/O	9
2	EXC + (White)	(EXC=Excitation)	Alarm 1 Common	10
3	Signal - (Black)		Main OUT N/C	11
4	EXC - & CAL1 (Green & Blue)		Main OUT Common	12
5	CAL2 (Orange)	(CAL=Calibration)	Main OUT N/O	13
6	Shield		VAC 100/240	14
7	Re-trans mA+	+A (RS485)	LN	15
8	Re-trans mA-	-B (RS485)	Ground	16