



## Melt Pressure Indicator

4-20mA or 0-10Vdc Process input

### Product Introduction

The GT Heaters IP258 Melt Pressure Indicator with process input and dual 5 digit display features high accuracy with simplicity of operation. The IP258 is available with up to three programmable alarms, 4-20mA or 0-10Vdc process melt pressure value re-transmission, and MODbus communications.

The IP258 Melt Pressure Indicator offers enhanced user functionality with front panel buttons for Zero, Peak, and Manual Alarm Reset. The IP258 Melt Pressure Indicator is a compact 1/8 DIN (96 x 48 mm) package with a large 0.5 inch LED display for melt pressure indication. The lower 0.4 inch display can be configured to indicate units of measure or alarm SP values.

### Features

- 4-20mA or 0-10Vdc process input
- pushbutton or Windows based programming
- true 5 digit display with 1 psi resolution
- 1/8 DIN size (96mm x 48mm)
- multifunctional lower display
- user selectable units, psi, bar, Kg/cm<sup>2</sup>, MPa
- automatic peak detection and display
- built-in 20Vdc transmitter power supply
- MODbus communications option

### Benefits

- direct accurate pressure readings
- easy to use
- quick and simplified calibration procedure
- Auto-Zero button
- digital display filter
- analog re-transmission
- save panel space with the compact size
- recall melt pressure extremes
- two levels of password protection

### Specifications

#### Performance Characteristics

**Type:** microprocessor based panel meter  
**Display:** dual 5 digit, PV=0.5", SV=0.4"  
**Beacons:** 6 LED's, AL1, AL2, AL3, RST, CAL, A/B  
**Termination:** 20 screw terminals on rear  
**Dimensions:** 1/8 DIN (48 H x 96 W x 110 D)  
**Accuracy:** +/- 0.1% of full scale with shunt calibration  
**Sampling Time:** 40ms  
**Operating Temperature:** 0°C - 60°C  
**Retransmission:** 4-20 mA or 0-10Vdc  
**Output Resolution:** 14 bits

IP258MA or IP258V



### Electrical

**Input:** either 4-20mA or 0-10Vdc process input  
**Transmitter Power Supply:** 20 Vdc  
**Input Power:** 85-264 Vac (24 Vdc available)  
**Calibration:** shunt resistor or applied pressure  
**Shunt Calibration Range:** 60-100%  
**Display:** keyboard configurable  
**Resolution:** 1 psi  
**Zero Balance:** - 25% to +5% of full scale  
**Alarms:** 0, 1, 2, or 3  
**Alarm Type:** High & Low setpoints, direct or reverse acting, automatic or manual reset  
**Main Alarm Output:** SPDT, NO and NC  
**2nd & 3rd Alarm Output:** SPST, NO  
**Serial Communications:** RS-485  
**Communication Protocol:** MODbus  
**Communication Baud Rate:** 1200-38400 BPS  
**Communication Format:** 8 bits + parity or none





# **IP258MA or V**

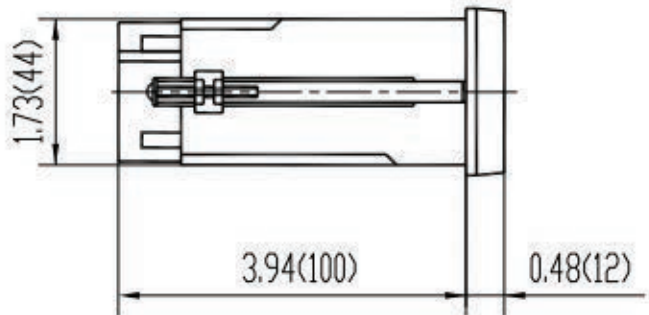
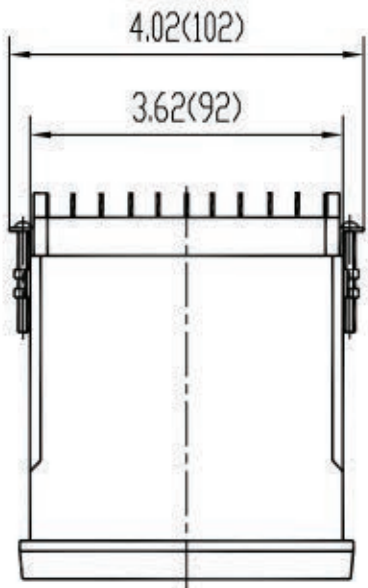
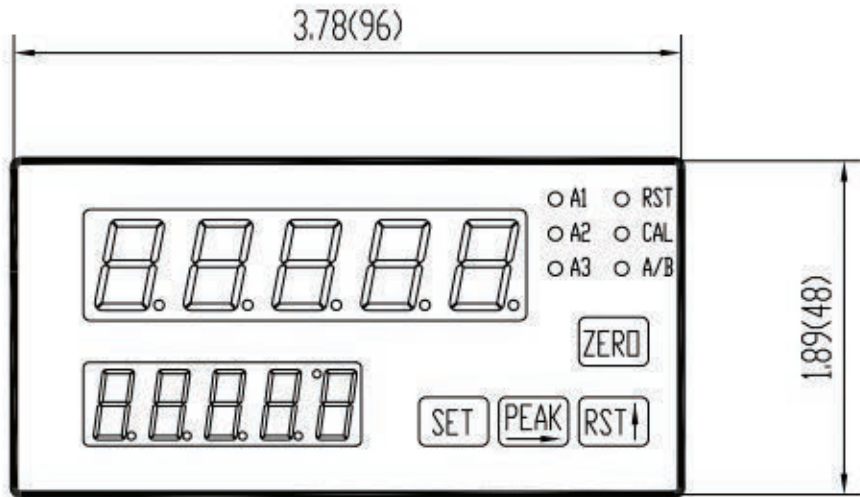
## **Melt Pressure Indicator**

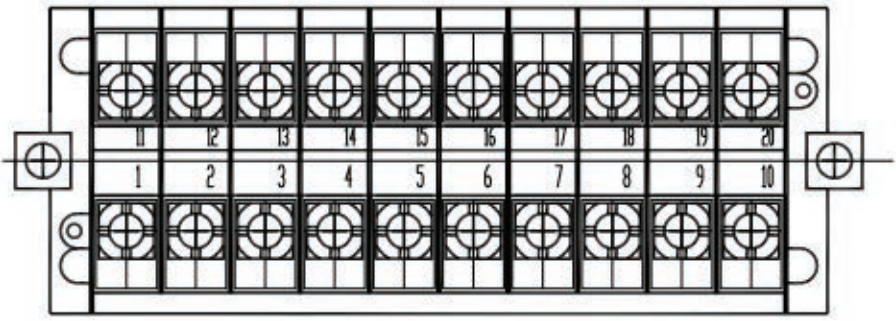
**4-20mA or 0-10Vdc Process input**

### Ordering Guide

<u>Model Number</u>	<u>Style</u>
IP258	1/8 DIN panel mount (96 X 48mm)
	<u>Process Input</u>
MA	4-20 mA (0 - 20mA)
V	0 - 10 Vdc
HV	1 - 5 Vdc
	<u>Alarms</u>
-0	no alarms, indicator only
-1	1 alarm
-2	2 alarms
-3	3 alarms
	<u>Retransmission</u>
O	no retransmission signal
R	4-20 mA
V	0 - 10 Vdc
	<u>Options</u>
-W	24 Vdc power supply
-C	MODBUS communications







IP258MA Wiring Diagram Power=(AC 100-240V)

RS485 -B	RS485 +A	AL3 N/O	AL2 N/O	AL1 N/O	Alarm Com	AL1 N/C	VAC 100/240	LN	Ground ⊥
11	12	13	14	15	16	17	18	19	20
1	2	3	4	5	6	7	8	9	10
Input+ Sig. mA+	Input- Sig. mA-	Exc+ 20VDC	Exc-/Com 0V				_RST_ Input	Re-trans mA+ V+	Re-trans mA- V-

IP258V Wiring Diagram Power=(AC 100-240V)

RS485 -B	RS485 +A	AL3 N/O	AL2 N/O	AL1 N/O	Alarm Com	AL1 N/C	VAC 100/240	LN	Ground ⊥
11	12	13	14	15	16	17	18	19	20
1	2	3	4	5	6	7	8	9	10
Input+ Vin +	Input- Vin -	Exc+ 20VDC	Exc-/Com 0V				_RST_ Input	Re-trans mA+ V+	Re-trans mA- V-

- Note:
- \* Alarm RST switch wired between PIN8 and PIN4
  - \* PIN20 should be Grounded ( connected to Earth )
  - \* PIN2 and PIN4 are internally connected