



## Melt Pressure Indicator strain gauge input

### Product Introduction

The GT Heaters IP258 Melt Pressure Indicator with strain gauge input and dual 5 digit display features high accuracy with simplicity of operation. The IP258 is available with up to three programmable alarms, 4-20mA or 0-10Vdc process value re-transmission, and MODbus communications.

The IP258 Melt Pressure Indicator offers enhanced user functionality with front panel buttons for Zero, Peak, and Manual Alarm Reset. The IP258 Melt Pressure Indicator is a compact 1/8 DIN (96 x 48 mm) package with a large 0.5 inch LED display for melt pressure indication. The lower 0.4 inch display can be configured to indicate units of measure or alarm SP values.

### Features

- 350 Ohm strain gauge input
- pushbutton or Windows based programming
- true 5 digit display with 1 psi resolution
- 1/8 DIN size (96mm x 48mm)
- multifunctional lower display
- user selectable units, psi, bar, Kg/cm<sup>2</sup>, MPa
- automatic peak detection and display
- built-in transducer excitation voltage
- MODbus communications option

### Benefits

- direct accurate pressure readings
- easy to use
- quick and simplified calibration procedure
- Auto-Zero button
- digital display filter
- analog re-transmission
- save panel space with the compact size
- recall melt pressure extremes
- two levels of password protection

### Specifications

#### Performance Characteristics

**Type:** microprocessor based panel meter  
**Display:** dual 5 digit, PV=0.5", SV=0.4"  
**Beacons:** 6 LED's, AL1, AL2, AL3, RST, CAL, A/B  
**Termination:** 20 screw terminals on rear  
**Dimensions:** 1/8 DIN (48 H x 96 W x 110 D)  
**Accuracy:** +/- 0.1% of full scale with shunt calibration  
**Sampling Time:** 40ms  
**Operating Temperature:** 0°C - 60°C  
**Retransmission:** 4-20 mA or 0-10Vdc  
**Output Resolution:** 14 bits

IP258



#### Electrical

**Input:** one 350 Ohm strain gauge bridge sensor  
**Bridge Excitation:** 5 Vdc  
**Sensitivity:** 2.0 - 4.0 mv/Volt auto sensed  
**Input Power:** 85-264 Vac (24 Vdc available)  
**Calibration:** shunt resistor or applied pressure  
**Shunt Calibration Range:** 60-100%  
**Display:** keyboard configurable  
**Resolution:** 1 psi  
**Zero Balance:** +/- 25% full scale  
**Alarms:** 0, 1, 2, or 3  
**Alarm Type:** High & Low setpoints, direct or reverse acting, automatic or manual reset  
**Main Alarm Output:** SPDT, NO and NC  
**2nd & 3rd Alarm Output:** SPST, NO  
**Serial Communications:** RS-485  
**Communication Protocol:** MODbus  
**Communication Baud Rate:** 1200-38400 BPS  
**Communication Format:** 8 bits + parity or none



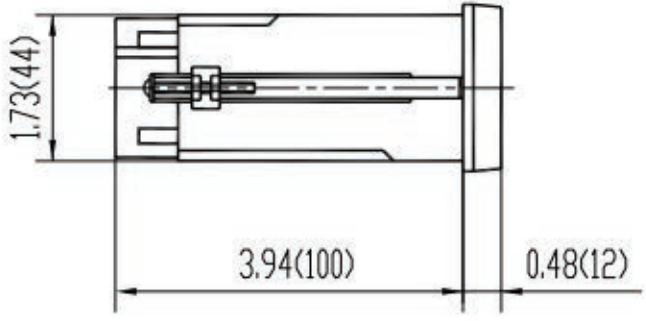
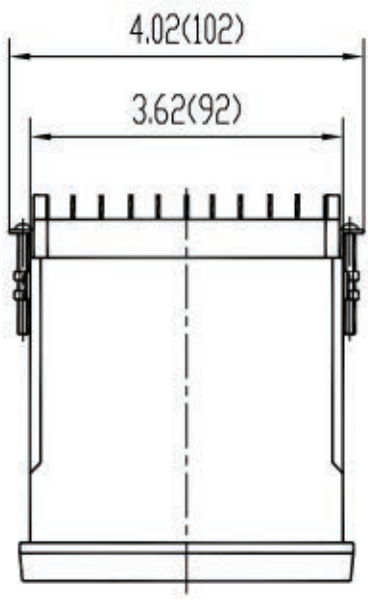
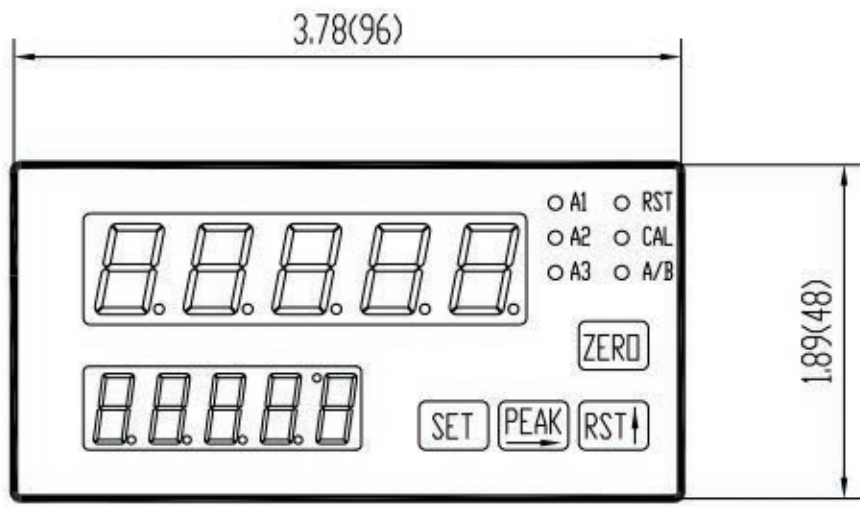


## **Melt Pressure Indicator** *strain gauge input*

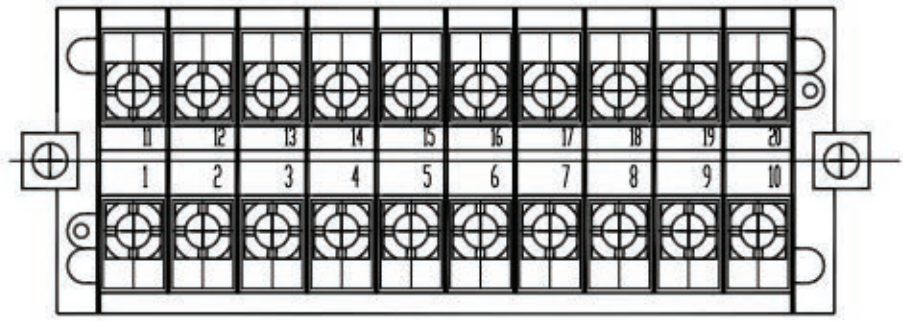
### Ordering Guide

<u>Model Number</u>	<u>Style</u>
IP258	1/8 DIN panel mount (96 X 48mm)
	<u>Alarms</u>
-0	no alarms, indicator only
-1	1 alarm
-2	2 alarms
-3	3 alarms
	<u>Retransmission</u>
O	no retransmission signal
R	4-20 mA
V	0 - 10 Vdc
	<u>Options</u>
-W	24 Vdc power supply
-C	MODBUS communications









IP258 Wiring Diagram Power=(AC 100-240V)

RS485 -B	RS485 +A	AL3 N/O	AL2 N/O	AL1 N/O	Alarm Com	AL1 N/C	VAC 100/240	LN	Ground ⊥
11	12	13	14	15	16	17	18	19	20
1	2	3	4	5	6	7	8	9	10
Signal+ Red	Signal- Black	Exc+ White	Exc-/Com Green/Blue	Cal Orange			_RST_ Input	Re-trans mA+ V+	Re-trans mA- V-

IP258 -W Wiring Diagram Power=(DC 24V)

RS485 -B	RS485 +A	AL3 N/O	AL2 N/O	AL1 N/O	Alarm Com	AL1 N/C	+24V (DC)	0V (DC)	Ground ⊥
11	12	13	14	15	16	17	18	19	20
1	2	3	4	5	6	7	8	9	10
Signal+ Red	Signal- Black	Exc+ White	Exc-/Com Green/Blue	Cal Orange			_RST_ Input	Re-trans mA+ V+	Re-trans mA- V-

Note: \* Alarm RST switch wired between PIN8 and PIN4  
\* PIN20 should be Grounded (connected to Earth)