



## *Melt Pressure & Temperature Indicator* *strain gauge & thermocouple input*

### Product Introduction

The GT Heaters IPT144 Melt Pressure & Temperature Indicator with strain gauge & thermocouple input features dual 4 digit simultaneous display of process melt pressure and temperature. The IPT144 is available with up to three programmable alarms, 4-20mA or 0-10Vdc process value re-transmission, and MODbus communications.

The IPT144 Melt Pressure & Temperature Indicator offers front panel buttons for programming with 4 LED beacons for alarm indication and communications. The IPT144 Melt Pressure & Temperature Indicator is a 1/4 DIN (96 x 96 mm) package with a large 0.5 inch LED display for melt pressure indication. The lower 0.4 inch display indicates melt temperature.

### Features

- dual input strain gauge & thermocouple
- simultaneous display of temperature and pressure
- front panel pushbutton programming
- dual 4 digit display
- built-in transducer excitation voltage
- MODBUS communications option

### Benefits

- direct accurate pressure and temperature readings
- easy to use
- analog re-transmission
- save panel space with only one indicator for both melt pressure and temperature display
- one level of password protection

### Specifications

#### Performance Characteristics

**Type:** microprocessor based panel meter  
**Display:** dual 4 digit, PV=0.5", SV=0.4"  
**Beacons:** 4 LED's, OUT, AL1, AL2, CAE  
**Termination:** 24 screw terminals on rear  
**Dimensions:** 1/4 DIN (46 H x 96 W x 100 D)  
**Accuracy:** +/-0.25% of full scale with shunt calibration  
**Sampling Time:** 100ms typical  
**Operating Temperature:** 0°C - 55°C  
**Retransmission:** 4-20 mA or 0-10Vdc  
**Zero Balance:** +/- 25% of full range



#### Electrical

**Input:** one 350 Ohm strain gauge bridge sensor and Type J, K, or E thermocouple  
**Bridge Excitation:** 9 Vdc  
**Sensitivity:** 2-4 mv/Volt  
**Input Power:** 100-240 Vac universal  
**Calibration:** with shunt resistor  
**Alarms:** up to three  
**Alarm Type:** Pressure or Temperature High or Low setpoints  
**Main Alarm Output:** 1 SPDT, NO and NC  
**2nd & 3rd Alarm Output:** 1 SPDT, NO & NC  
**Retransmission:** 4-20 mA or 0-10Vdc





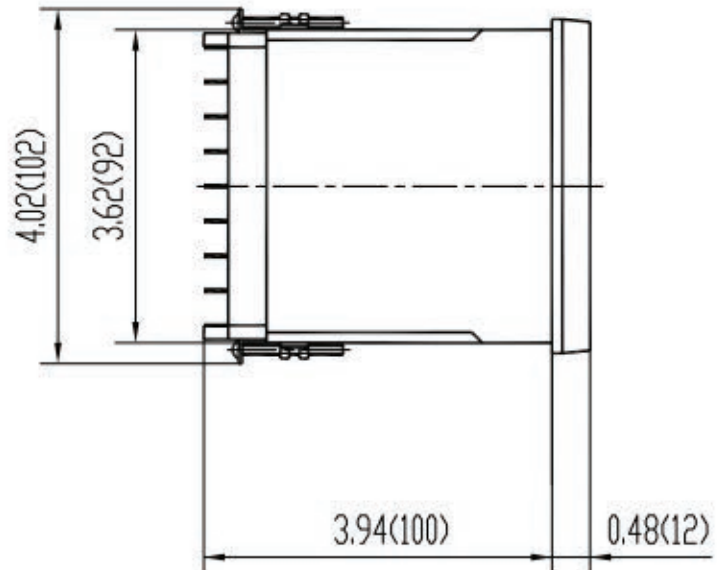
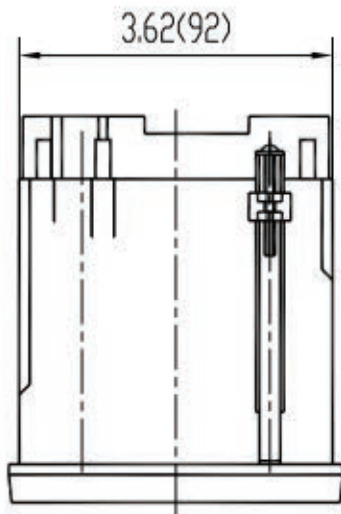
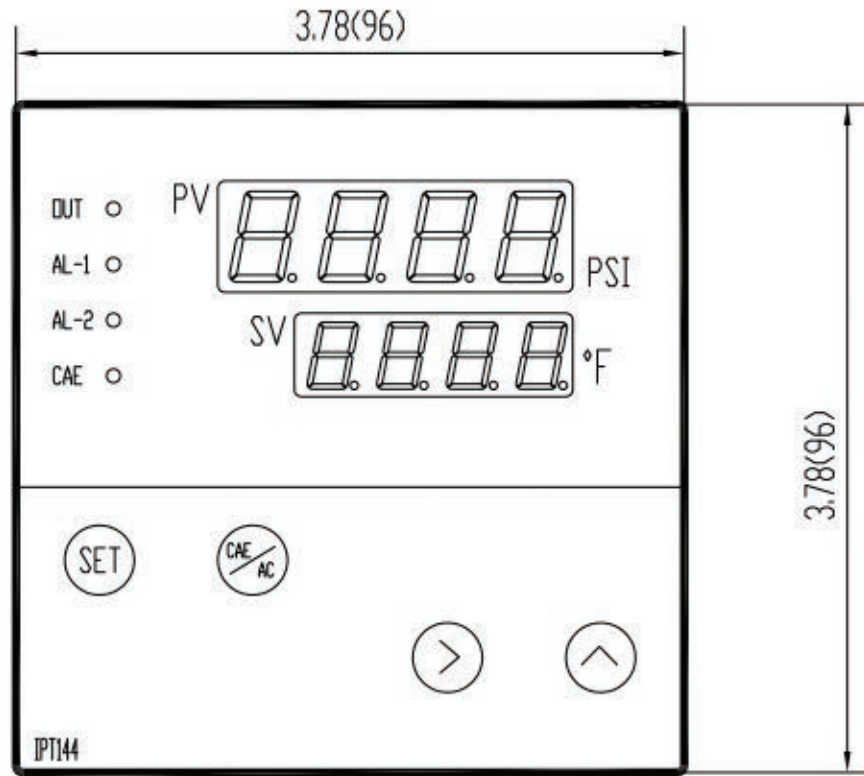
## ***Melt Pressure & Temperature Indicator*** ***strain gauge & thermocouple input***

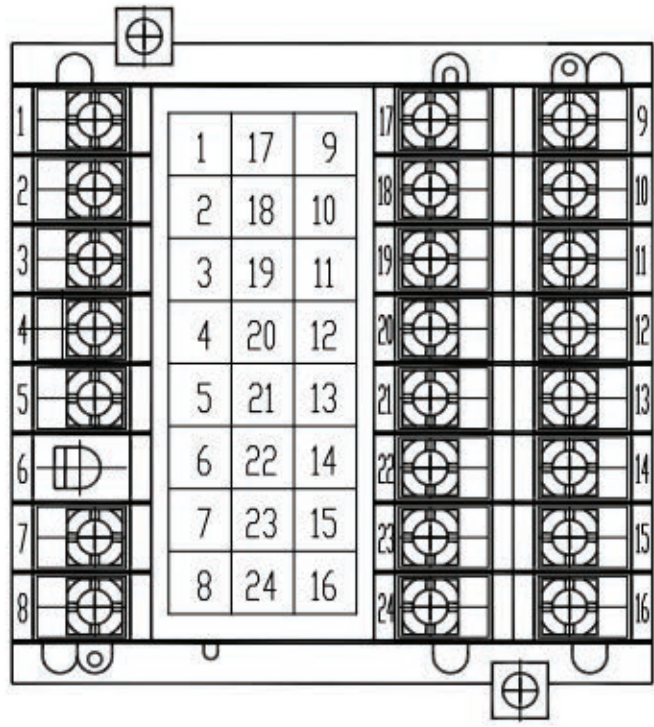
### Ordering Guide

<b><u>Model Number</u></b> IPT144	<b><u>Style</u></b> 1/4 DIN panel mount (96 X 96mm)
-1 -2 -3	<b><u>Alarms</u></b> 1 alarm 2 alarms 3 alarms
O R V	<b><u>Retransmission</u></b> no retransmission signal 4-20 mA - standard 0 - 10 Vdc
-W -C	<b><u>Options</u></b> 24 Vdc power supply MODBUS communications









1	Signal + (Red)		Re-trans mA+	17	9	Alarm 1 N/D
2	EXC + (White)	(EXC=Excitation)	Re-trans mA-	18	10	Alarm 1 Common
3	Signal - (Black)		No connection	19	11	Main OUT N/C
4	EXC -& CAL1 (Green & Blue)		-B (RS485)	20	12	Main OUT Common
5	CAL2 (Orange)	(CAL=Calibration)	+A (RS485)	21	13	Main OUT N/D
6	No connection		Alarm 4 N/C	22	14	VAC 100/240
7	T/C Input +		Alarm 4 Common	23	15	LN
8	T/C Input -	(T/C=Thermocouple)	Alarm 4 N/D	24	16	Ground