



Model CTEC

Melt Pressure Transducer for Space Restricted Areas

Product Introduction

The **GT Heaters** model CTEC Melt Pressure Transducer incorporates a proprietary filled capillary design. This tried and proven design provides an electronic signal which is proportional to the measured pressure, and allows the transducer to operate at a process temperature up to 750°F. The electronics of each transducer is a Wheatstone Bridge - bonded strain gauge design insuring high accuracy, reliability and repeatability.

The **GT Heaters** model CTEC Melt Pressure Transducer has been designed for space restricted areas. This transducer features an exposed capillary which allows for a 1/8" bend radius for mounting in tight spaces.

Features

- wide variety of pressure ranges
- significant price benefit over competitor's models
- 100% form, fit and function competitor's models utilizing the Bendix 6 pin bayonet style connector
- fully compatible with the industry standard wiring pattern and colour coding
- two accuracy grades available
0.5% standard accuracy, or 0.25% optional



General Specifications

Mechanical

Pressure Ranges: 0-3,000 psi to 0-30,000 psi
metric ranges available

Mounting: 1/2-20 UNF thread with jam nut

Mounting Torque: 500 inch pounds maximum

Diaphragm: 15-5PH stainless steel

Overload Capacity: 2 times FSO

Temperatures: diaphragm 750°F
electronics 225°F

Accuracy: 0.5% FSO

Repeatability: better than 0.15% FSO

Electrical

Type: bonded strain gauge,
4 leg Wheatstone Bridge

Bridge Resistance: 350 Ohm +/- 5%

Connector: 6 pin Bendix style bayonet

Output: 3.33 mV/Volt

Excitation Voltage: 10 Vdc

Calibration: internal 80% FSO

Insulation: 1,000 Megohms at 50 Vdc





Model CTEC

Melt Pressure Transducer

for Space Restricted Areas

Ordering Guide

<u>Model Number</u>	<u>Transducer Style</u>
CTEC	1/2-20 UNF thread with jam nut 10" expose capillary with 18" flex armour

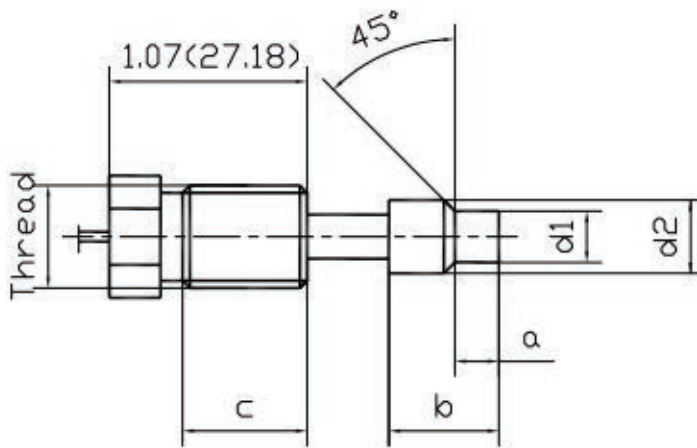
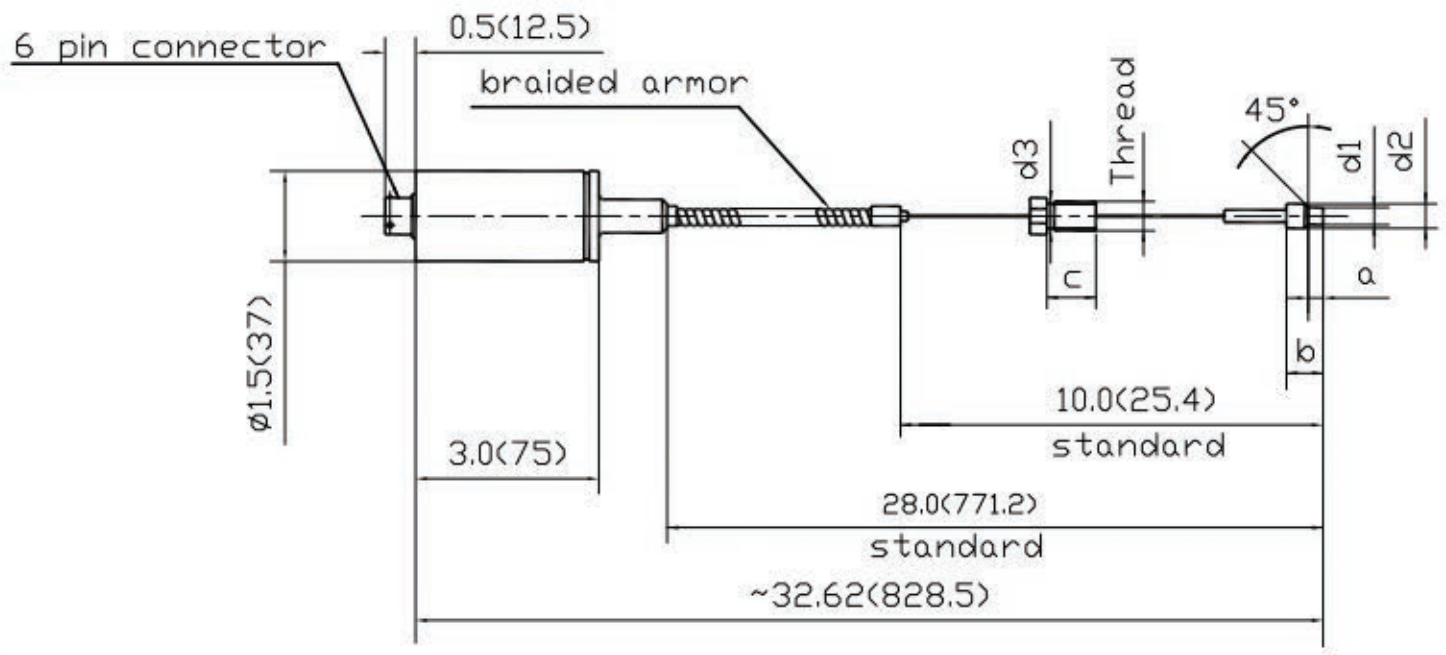
	<u>Accuracy</u>
"no designation"	0.5% Accuracy - standard
DLX	0.25% Accuracy

	<u>Output</u>
Q	2.0 mV/Volt
R	2.5 mV/Volt
S	3.33 mV/Volt - standard

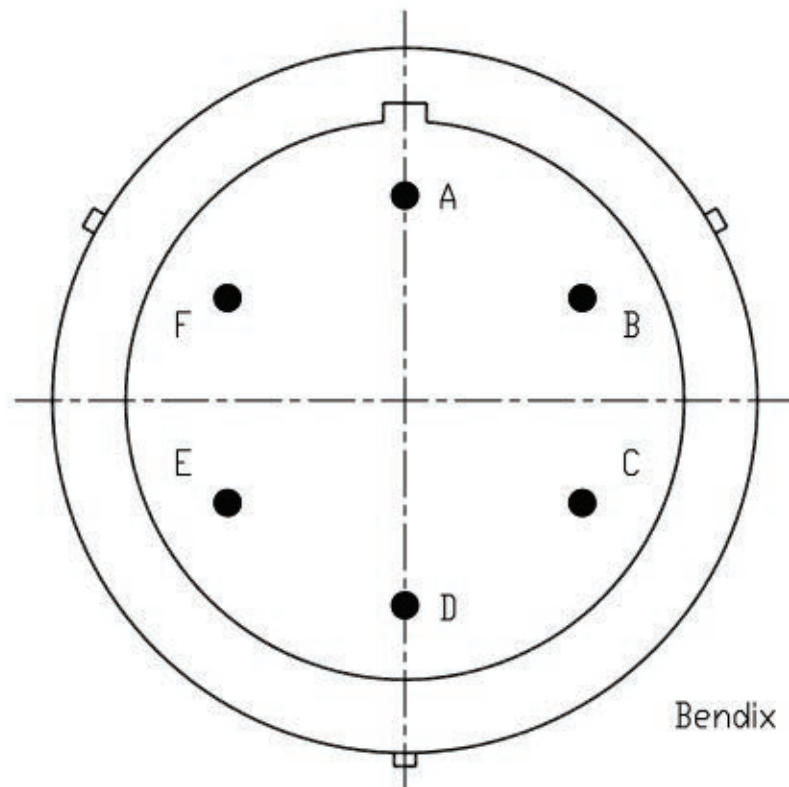
<u>Standard Pressure Ranges</u>			
-3M	0 - 3,000 psi	-2CB	0 - 200 bar
-5M	0 - 5,000 psi	-3.5CB	0 - 350 bar
-7.5M	0 - 7,500 psi	-5CB	0 - 500 bar
-10M	0 - 10,000 psi	-7CB	0 - 700 bar
-15M	0 - 15,000 psi	-1MB	0 - 1,000 bar
-20M	0 - 20,000 psi	-1.4MB	0 - 1,400 bar
-30M	0 - 30,000 psi	-2MB	0 - 2,000 bar

	<u>Common Options</u>
-8PIN	8 pin connector in place of standard 6 pin
-FAXX	Non-Standard flex armor length (xx- specify in inches)





Thread	d1	d2	a	b	c	d3
1/2"-20	0.307(7.8) 0.305(7.75)	0.414(10.52) 0.412(10.46)	0.125(3.18) 0.12(3.05)	0.318(8.08) 0.312(7.92)	0.81(20.57)	0.414(10.52)



Bendix PT02-10-6P or Equivalent

	mV/Volt Output (Excitation-10Vdc)
Pin A/Red	Signal(+)
Pin B/Black	Signal(-)
Pin C/White	Excitation(+)
Pin D/Green	Excitation(-)
Pin E/Blue	Calibration 1
Pin F/Orange	Calibration 2