



# Model CTX

## Melt Pressure Transducer

### Space Restricted or Nozzle Melt Pressure Measurements

#### Product Introduction

The **GT Heaters** model CTX Melt Pressure Transducer incorporates a proprietary filled capillary design. This tried and proven design provides an electronic signal which is proportional to the measured pressure, and allows the transducer to operate at process temperatures up to 750°F. The electronics of each transducer is a Wheatstone Bridge - bonded strain gauge design insuring high accuracy, reliability and repeatability.

The **GT Heaters** model CTX Melt Pressure Transducer has been designed for space restricted areas, or for nozzle melt pressure measurement on injection molding machines. This transducer features a 1/2-20 UNF thread with jam nut and 28" of flex capillary.

#### Features

- wide variety of pressure ranges
- significant price benefit over competitor models
- 100% form, fit and function with all competitor models utilizing the Bendix 6 pin bayonet style connector
- fully compatible with the industry standard wiring pattern and colour coding
- two accuracy grades available  
0.5% standard accuracy, or 0.25% optional



#### General Specifications

##### Mechanical

Pressure Ranges: 0-3,000 psi to 0-30,000 psi  
metric ranges available

Mounting: 1/2-20 UNF thread with jam nut

Mounting Torque: 500 inch pounds maximum

Diaphragm: 15-5PH stainless steel

Overload Capacity: 2 times FSO

Temperatures: diaphragm 750°F  
electronics 225°F

Accuracy: 0.5% FSO

Repeatability: better than 0.15% FSO

##### Electrical

Type: bonded strain gauge, 4 leg Wheatstone Bridge

Bridge Resistance: 350 Ohm +/- 5%

Connector: 6 pin Bendix style bayonet

Output: 3.33 mV/Volt

Excitation Voltage: 10 Vdc

Calibration: internal 80% FSO

Insulation: 1,000 Megohms at 50 Vdc





# Model CTX

## Melt Pressure Transducer

**Space Restricted or Nozzle Melt Pressure Measurements**

### Ordering Guide

<b><u>Model Number</u></b>	<b><u>Transducer Style</u></b>
CTX	1/2-20 UNF thread with jam nut and 28" flex capillary

"no designation" DLX	<b><u>Accuracy</u></b> 0.5% Accuracy - standard 0.25% Accuracy
-------------------------	--

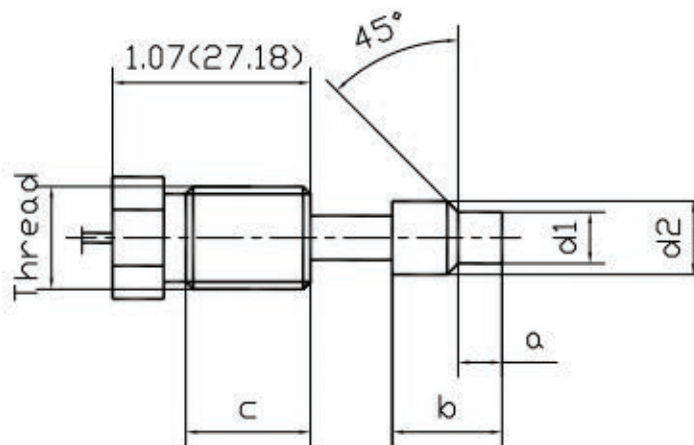
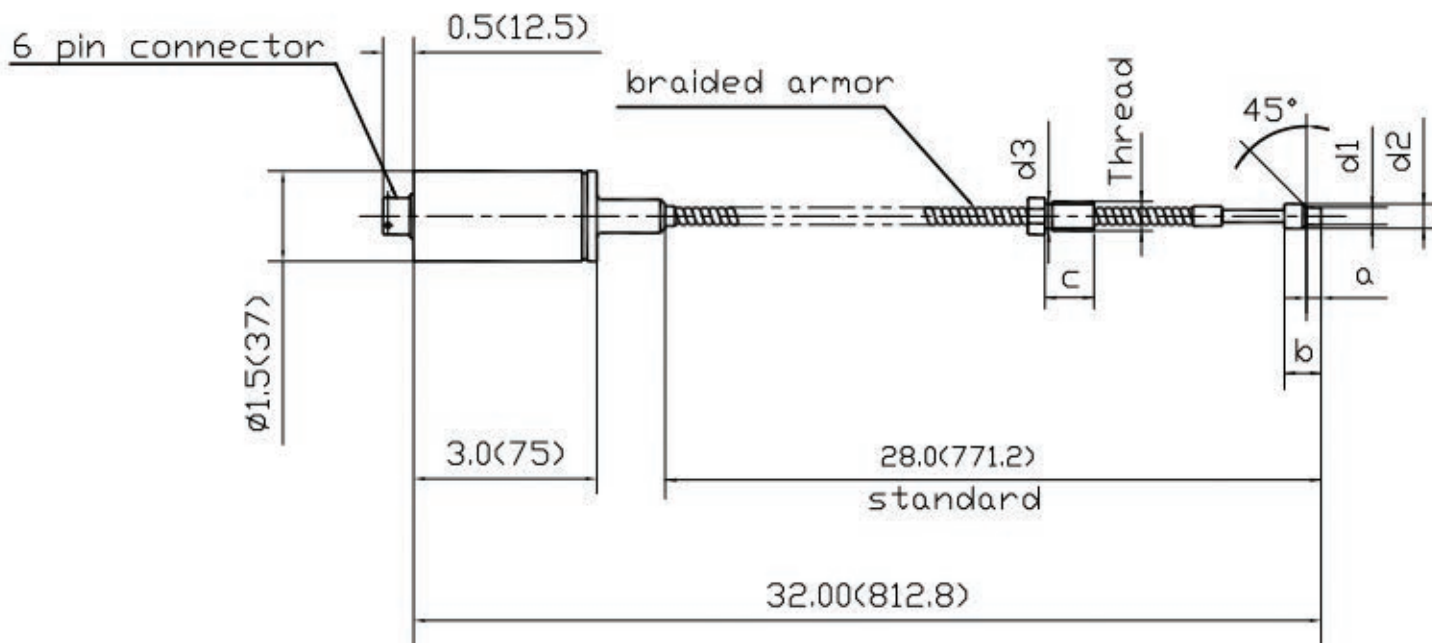
1 3	<b><u>Jam Nut Length</u></b> 1.5" jam nut 3" jam nut
--------	--

Q R S	<b><u>Output</u></b> 2.0 mV/Volt 3.0 mV/Volt 3.33 mV/Volt - standard
-------------	---

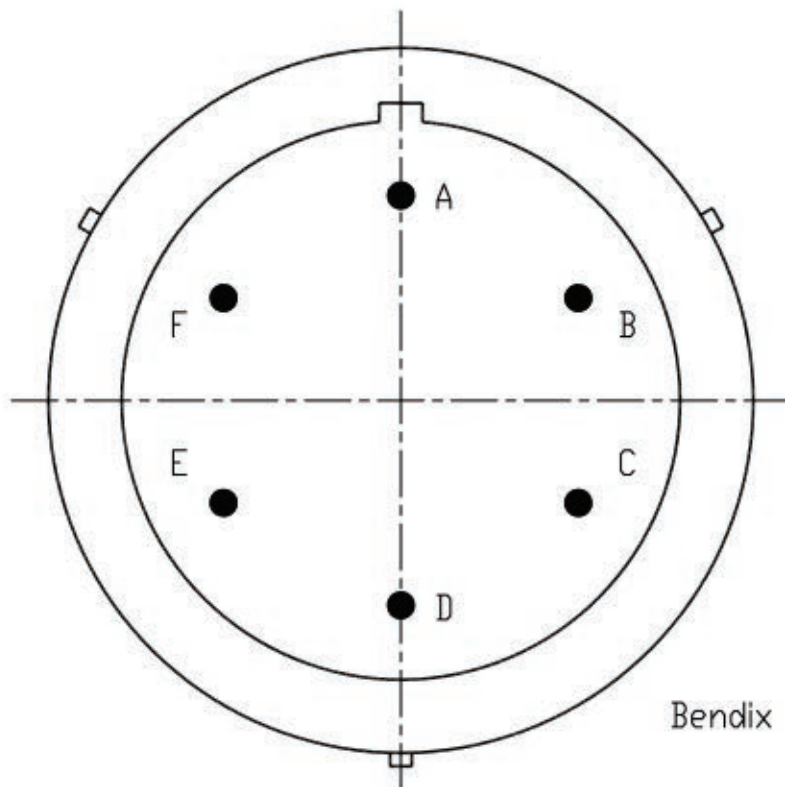
<b><u>Standard Pressure Ranges</u></b>			
-3M	0 - 3,000 psi	-2CB	0 - 200 bar
-5M	0 - 5,000 psi	-3.5CB	0 - 350 bar
-7.5M	0 - 7,500 psi	-5CB	0 - 500 bar
-10M	0 - 10,000 psi	-7CB	0 - 700 bar
-15M	0 - 15,000 psi	-1MB	0 - 1,000 bar
-20M	0 - 20,000 psi	-1.4MB	0 - 1,400 bar
-30M	0 - 30,000 psi	-2MB	0 - 2,000 bar

-8PIN -FAxx	<b><u>Common Options</u></b> 8 pin connector in place of standard 6 pin Non-Standard flex armor length (xx- specify in inches)
----------------	---





Thread	d1	d2	a	b	c	d3
1/2"-20	0.307(7.8)	0.414(10.52)	0.125(3.18)	0.318(8.08)	0.81(20.57)	0.414(10.52)
	0.305(7.75)	0.412(10.46)	0.12(3.05)	0.312(7.92)		



Bendix PT02-10-6P or Equivalent

	mV/Volt Output (Excitation-10Vdc)
Pin A/Red	Signal(+)
Pin B/Black	Signal(-)
Pin C/White	Excitation(+)
Pin D/Green	Excitation(-)
Pin E/Blue	Calibration 1
Pin F/Orange	Calibration 2